



RS232 Configuration cable DLS/FLS

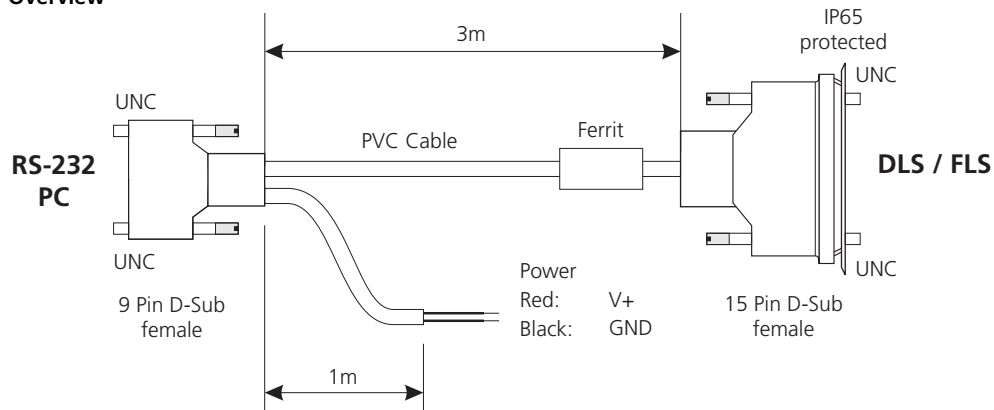
Item No. 500200



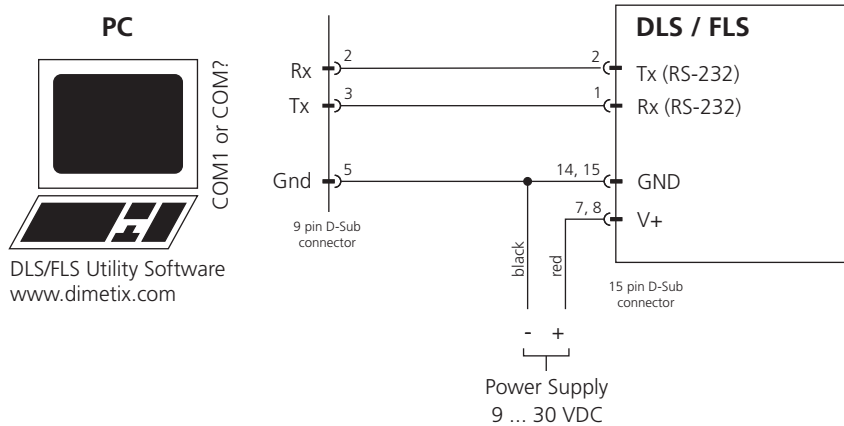
This RS-232 configuration cable is made to connect the DLS/FLS Laser Distance Sensor to a PC and power supply with the simple configuration.

Do not use for devices with the heater!

Overview



Wiring diagramm



Order information

Item number	Description	Packaging unit
500200	RS-232 Configuration cable DLS/FLS Length = 3m, with 15 pin connector IP65 and 9 pin connector	1 piece

07. Jan. 2014 / Subject to change without notice

500200 RS-232 Configuration cable DLS_FLS_EN_V3.odt