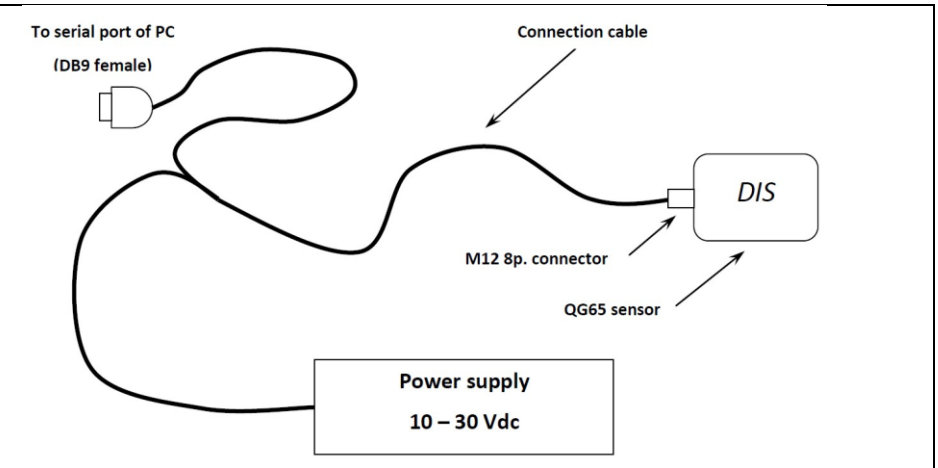


QG65/76 series configurator
Configurator QG65 / 76 configurator
D-SUB 9-pole female
M12 8p female



QG65/76 series configurator	
Configurator	
Type	
Purpose	
Features	
Connection	
Length	
Data rate	
Material	
Software for Windows	
Temperature range	
Humidity	
Ingress protection	
Installation disk	
Certifications	
UL listed	
Electrical data	
Interface	
External power	
Environmental	
Order code	
Optional	
Manual	
Optional RS232 protocol	

General specifications v20150603	
	Configurator connection tool & software package
	Configuration of QG65 /76 analog output sensors,
	See manual for details
	D-SUB 9-pole Female (connect to PC, optional USB)
	M12 8p female (connect to sensor)
	2 loose wires (connect to power supply, not included)
	1,5m
	RS232 38k4,n,8,1
	PUR/PP
	Install from CD-R (included in package)
	+5°...+40°C
	0-80% RH non-condensing
	IP40
	included
	No
	RS232 serial interface (Rx & Tx only)
	10-30V dc (red = Vcc, black = Gnd)
	Only for non-industrial permanent use
	10855 QG65 configuration cable + software
	For USB to RS232 adapter cable order code 11809
	Download from dis-sensors.com
	http://dis-sensors.com/media/downloads/Downloads/QG65_configurator_manual_v1.1.pdf
	On request available